



# TINY Remote Monitor

## Vibration Condition System

Compact, simple, powerful, and easy to start

Continuous vibration and temperature monitoring system

Vibrations: Acceleration and Velocity

Displacement and Envelope

Outputs 4-20mA of variables controlled

ModBus/TCP protocol for SCADA systems

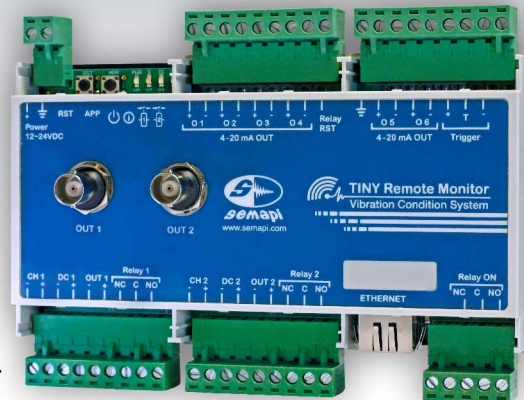
It is compatible with diagnostic software of DSP

Machinery Control

The Relays alarms can be configurable by Wi-Fi

Bluetooth readings with the Pocket VibPro collector

BNC outputs for readings with data collectors



The TINY Remote Monitor (TRM) is two-channel equipment for condition controlling of machines by vibrations and temperature.

The TINY Remote Monitor (TRM) is a control device 24/7 who delivers the signals on 4-20mA format to be reading by any PLC system or by an own system signal management.

The measurements from the TINY Remote Monitor (TRM) performs on its two channels are: Acceleration, Velocity, Displacement, and Envelope with conventional sensors and also temperature if it used dual sensors.

Each channel from the TINY Remote Monitor (TRM) has a BNC connection that allows you to capture the analog signal from the sensor to be measured and analyzed by a conventional data collector without interfering with the permanent monitoring of the signals.

The TINY Remote Monitor (TRM) has a alarm system that activated two relays configurable by software, and an electric security relay. Also, you can do a track with the DSP MC software with all the diagnostic tools. On the other hand, you can do a track by PLC or by SCADA system.

The measurements that are programmed by points can be scalar or spectral, the variables are configurable on each point of measure and the individual characteristic of each measure are extremely flexible.

The measurement routines of the points of the configured machines can be programmed in automatic routines of monitoring with different periods between measurement and measurement recording.

### Application

Perfect for critical and semi-critical equipment.

It allows to detection variations on the equipment behavior to avoid a fault.

Early detection of lubricating film failure significantly increases unit life.

It is very useful for machines that are difficult to access or confined.

The TRM is a perfect system to control typical failures in industrial rotating like bearing problems, misalignment, lack of adjustments in any type of rotating, cavitation in pumps, imbalance in fans and cooling towers, and gear problems in gearboxes reducer, etc.

### Programmation and configuration

With the Wi-Fi access the TRM allows and quick and simple configuration of the variables to measure, programming of the periodicity of the measurements, setting alarms and trip of relays, it can access too by a notebook, tablet or Smartphone.

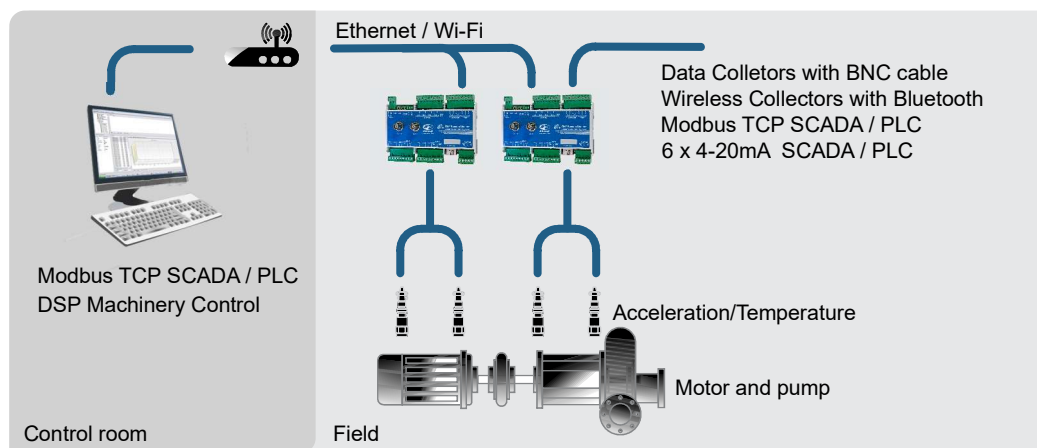
Dynamic signal output.

With a BNC connector for each channel, the TRM allows access to the dynamic signal from the sensor through any conventional vibration meter or analyzer without affecting the continuous monitoring process of the unit controlled.

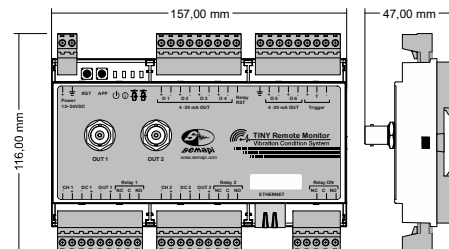
If it is used the Pocket VibPro it can be captured the accelerometer output by Bluetooth.

### System Components:

- PC with Windows operating system (not included)
- TINY Remote monitor Hardware
- Vibration sensors ICP type



Dimensions:



### On-site configuration by dedicated Wi-Fi

Once the TRM module is installed, you will be able to configure and view the measurements carried out and see them online via your Smartphone or Tablet and if it is necessary you can change the inputs and outputs configuration through a series of agile screens that will allow you to have a total and fast control of the condition of vibration and temperature of the monitored machine



Status: 14/12/2020 09:27:00

Measures:	ENABLED	TO DISABLE
Load full configuration from file:		OK
Relay 1:	DISABLED	Set Reset
Relay 2:	DISABLED	Set Reset
RPM:	0	

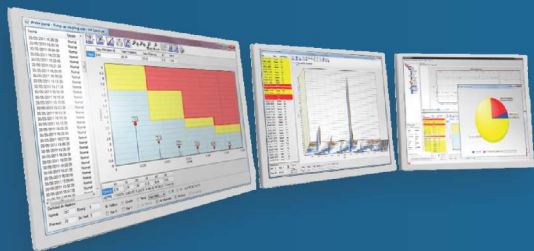
Update

Return

Latest Results:

Measure	RMS Value	0P Value	PP Value	Date/Time	Status
[1] - Acceleration (RMS-1024-A-5000-CH1)	0.061 G	0.192 G	0.317 G	14/12/2020 09:26:50	Normal
[2] - Velocity (RMS-1024-V-500-CH1)	1.543 mm/s	2.676 mm/s	5.240 mm/s	14/12/2020 09:26:52	Normal

## Control and analysis system DSP Machinery Control



The DSP Machinery Control software is designed for organizing and visualization measurements in a simple way determining the status of each machine. The DSP Machinery Control has plenty of diagnostic tools that ensure the early detection of electric and mechanical failures. The entire line of field meters and analyzers are fully compatible with this software allowing in a single database to manage all the measurements.

Compatible equipment with:



Distribuidor: